



### Description

Wall fixture for indoor use.

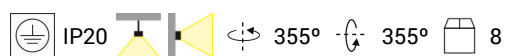
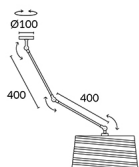
For downlighting. Design by C. Santolaria and Alex & Manel Llusca. Timeless design. Highly versatile, multiple installations. High durability for intensive use. The optical module can easily be rotated 360°. Structure material: Steel. Structure finish: Satin nickel, Chrome. Warranty: 2 Years.

### Finish

Satin nickel  
Chrome

### Material

Steel



### TECHNICAL CHARACTERISTICS

#### Light source

Lampholder: 1 x E27  
Output (W): MAX 100W  
Total power consumption (W): 100  
Quantity: 1

#### GEAR

Voltage / Frequency:  
220-240V/50-60Hz

#### Luminaire

Warranty: 2 Years

#### Logistics

Energy Efficiency: NO BULB  
EAN Code: 8435381409852  
Net Weight (Kg): 0.815  
Weight in Kg (packaged): 1.510  
Packing: 535 x 210 x 150  
Masterbox: 8

## OPTIONAL ACCESSORIES

---



### PAN-163-05

Shade, black horizontal wrapping, Ø330mm

Structure material: Steel  
Dimensions: 330 x 0 x 170  
Net Weight (Kg): 0.255



### PAN-163-14

Shade, white horizontal wrapping, Ø330mm

Structure material: Steel  
Dimensions: 330 x 0 x 170  
Net Weight (Kg): 0.255



### PAN-164-05

Shade, black horizontal wrapping, Ø450mm

Structure material: Steel  
Dimensions: 450 x 0 x 220  
Net Weight (Kg): 0.385



### PAN-164-14

Shade, white horizontal wrapping, Ø450mm

Structure material: Steel  
Dimensions: 450 x 0 x 220  
Net Weight (Kg): 0.385



### PAN-219-05

Shade, black horizontal wrapping, Ø200mm

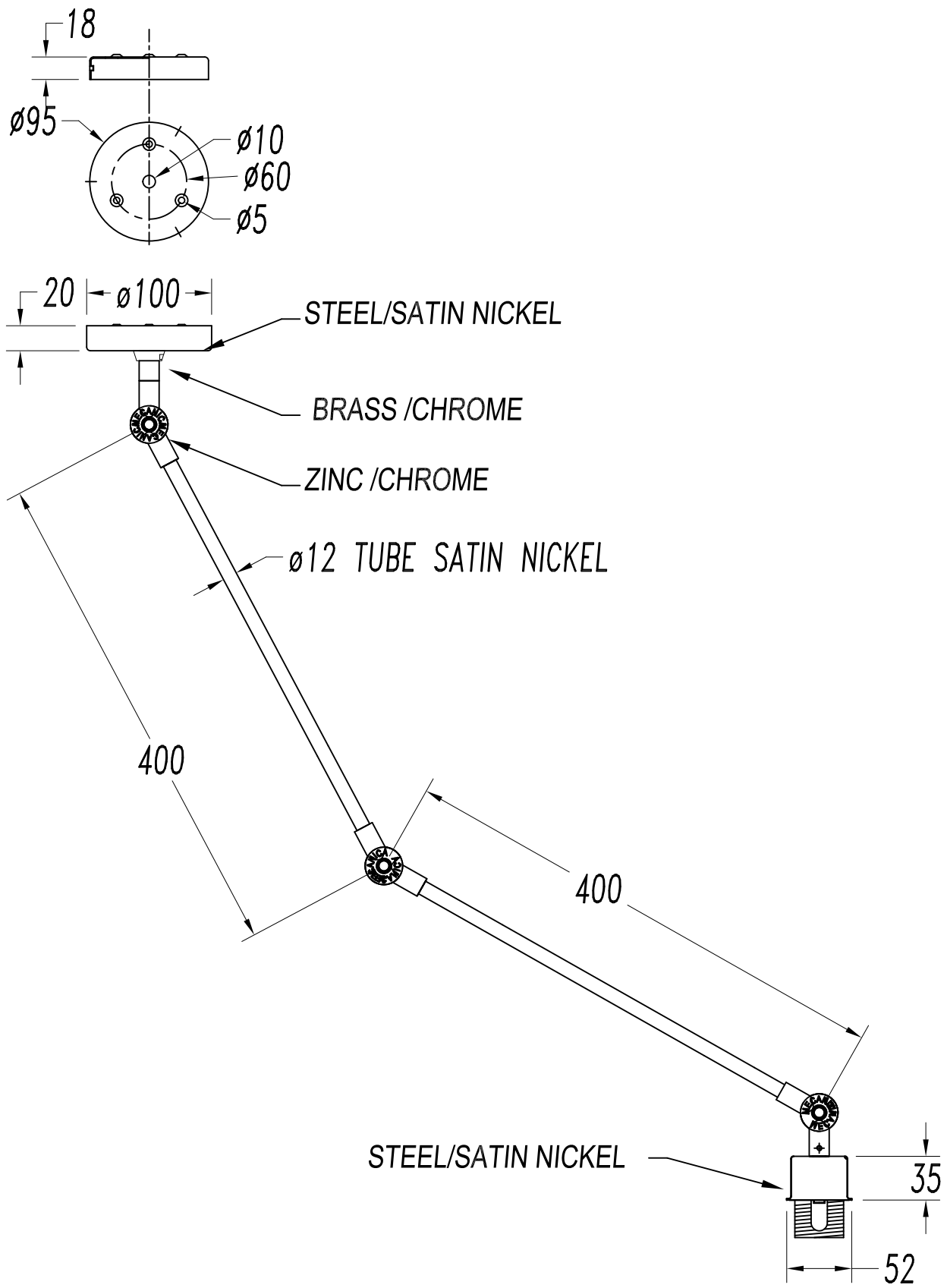
Structure material: Steel  
Dimensions: 200 x 0 x 150  
Net Weight (Kg): 0.180

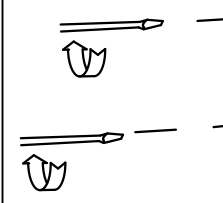
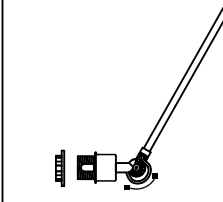


### PAN-219-14

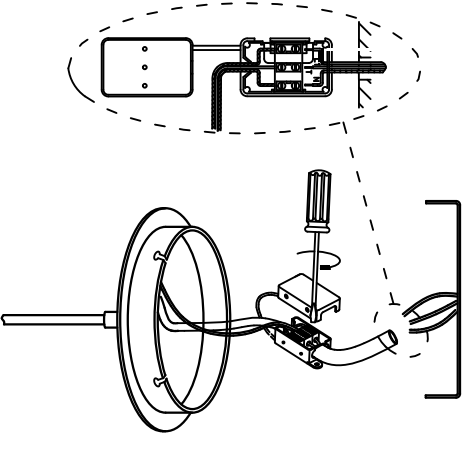
Shade, white, horizontal wrapping, Ø200mm

Structure material: Steel  
Dimensions: 200 x 0 x 150  
Net Weight (Kg): 0.180

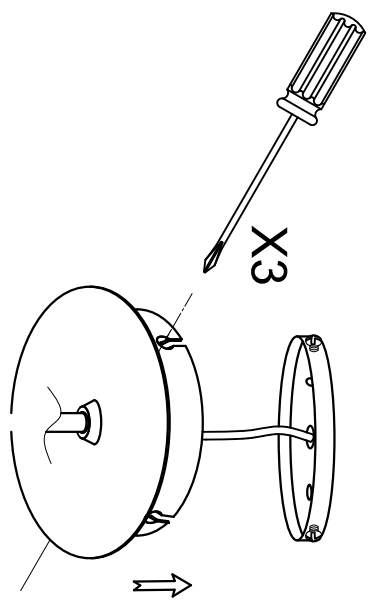




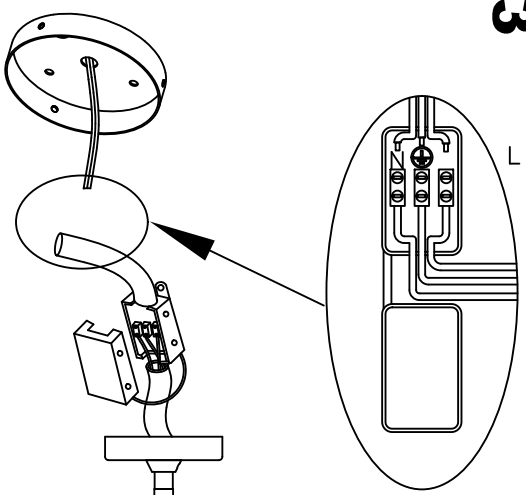
**3**



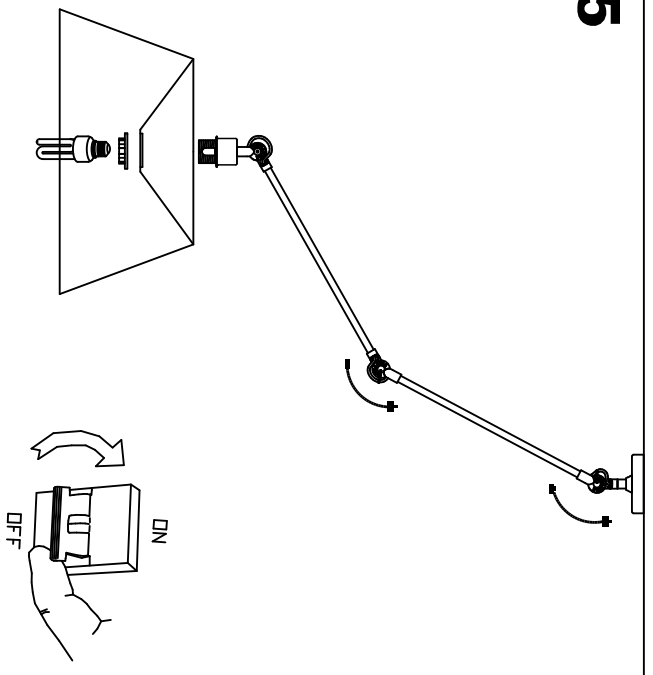
**4**



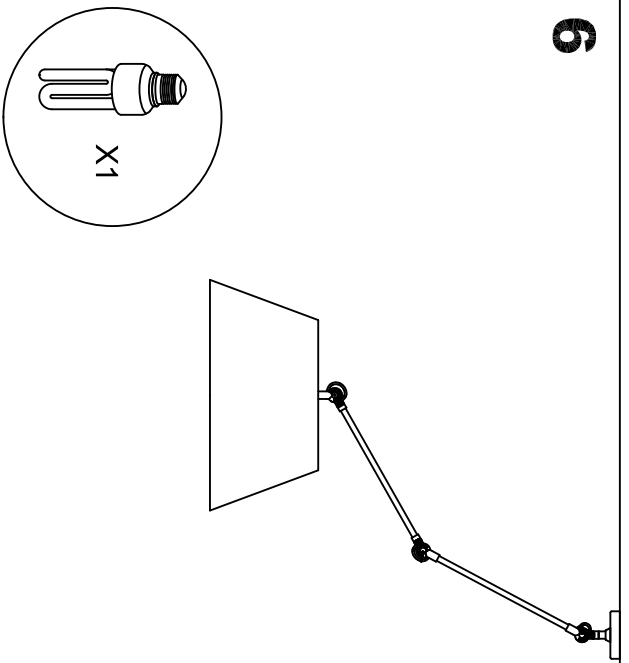
**3**



**5**



**6**



**5**

